

诗乐2 SKYLINE 2

INSTALLATION INSTRUCTIONS

安装说明书

SKYLINE 2.0 SLID, L SHAPE, BYPASS DOOR, 10MM

诗乐2.0移门, L型, 10MM

K-704808T

SKYLINE 2.0 SLID, L SHAPE, BYPASS DOOR, 8MM

诗乐2.0移门, L型, 8MM

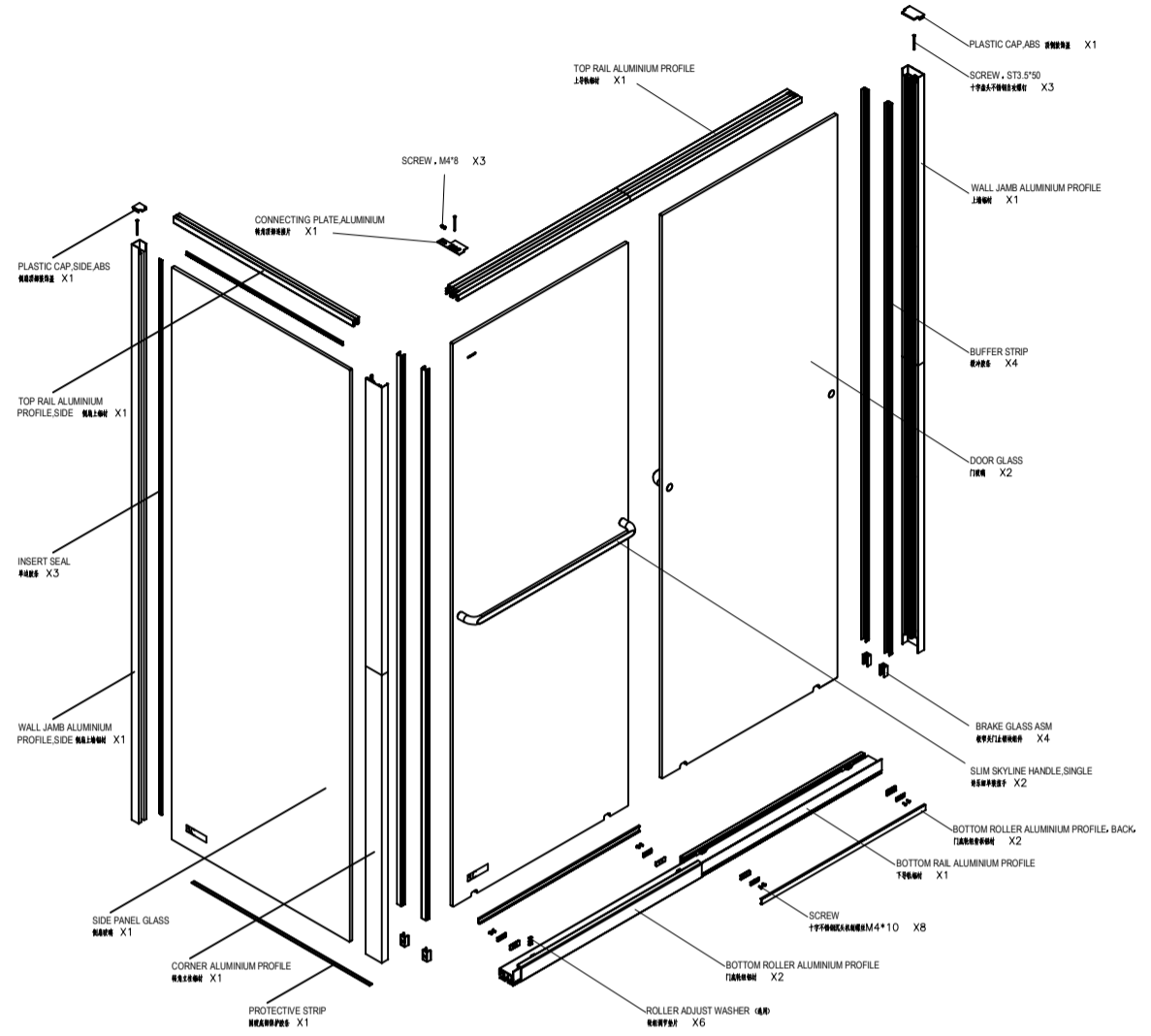
K-704818T

Unit:MM

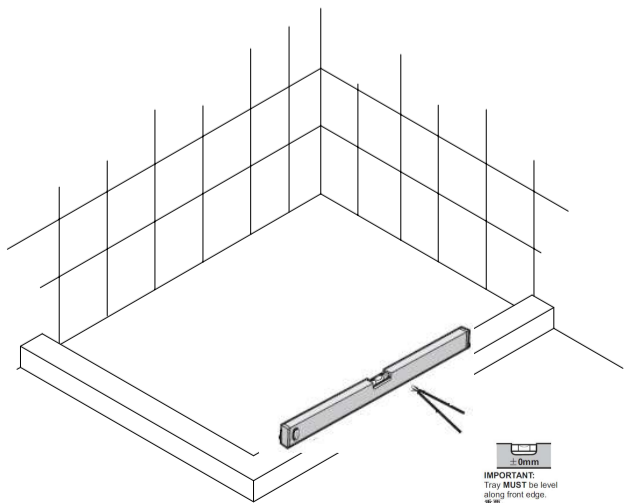
单位: MM

SKU	B	C	H	备注
K-704808T	1100-1800	250-1100	1850-2200	10MM
K-704818T	1100-1800	250-1100	1850-2200	8MM

	X1	TOP RAIL ALUMINIUM PROFILE 上导轨型材
	X1	BOTTOM RAIL ALUMINIUM PROFILE 下导轨型材
	X1	WALL JAMB ALUMINIUM PROFILE, RIGHT 上墙型材
	X1	CORNER ALUMINIUM PROFILE 转角立柱型材
	X1	WALL JAMB ALUMINIUM PROFILE, SIDE 侧墙上墙型材
	X1	TOP RAIL ALUMINIUM PROFILE, SIDE 侧面上墙型材
	X2	BOTTOM ROLLER ALUMINIUM PROFILE 门底滑轮铝型材
	X2	BOTTOM ROLLER ALUMINIUM PROFILE, BACK 门底滑轮铝型材
	X1	CONNECTING PLATE, ALUMINIUM 铝合金连接片
	X4	BRAKE GLASS ASM, BOTTOM 底脚止轮玻璃件
	X6	ROLLER ADJUST WASHER 滑轮调节垫片
	X1	PLASTIC CAP, ABS 装饰胶套
	X1	PLASTIC CAP, SIDE, ABS 侧边装饰胶套
	X1	DECORATIVE STRIP 装饰胶条
	X4	CLOSE DOOR BUFFER STRIP 关门缓冲胶条
	X1	DECORATIVE STRIP 装饰胶条
	X3	INSERT SEAL 密封胶条
	X2	SLIM SKYLINE HANDLE, SINGLE 诗乐细单线拉手
	X2	PAN SCREW PM4*8, 十字盘头自攻螺丝PM4*8
	X3	SCREW 十字盘头自攻螺丝ST3.5*50
	X10	PAN SCREW ST3.5X40, 十字盘头自攻螺丝ST3.5X40
	X10	HOLLOW WALL ANCHOR, NYLON 膨胀套

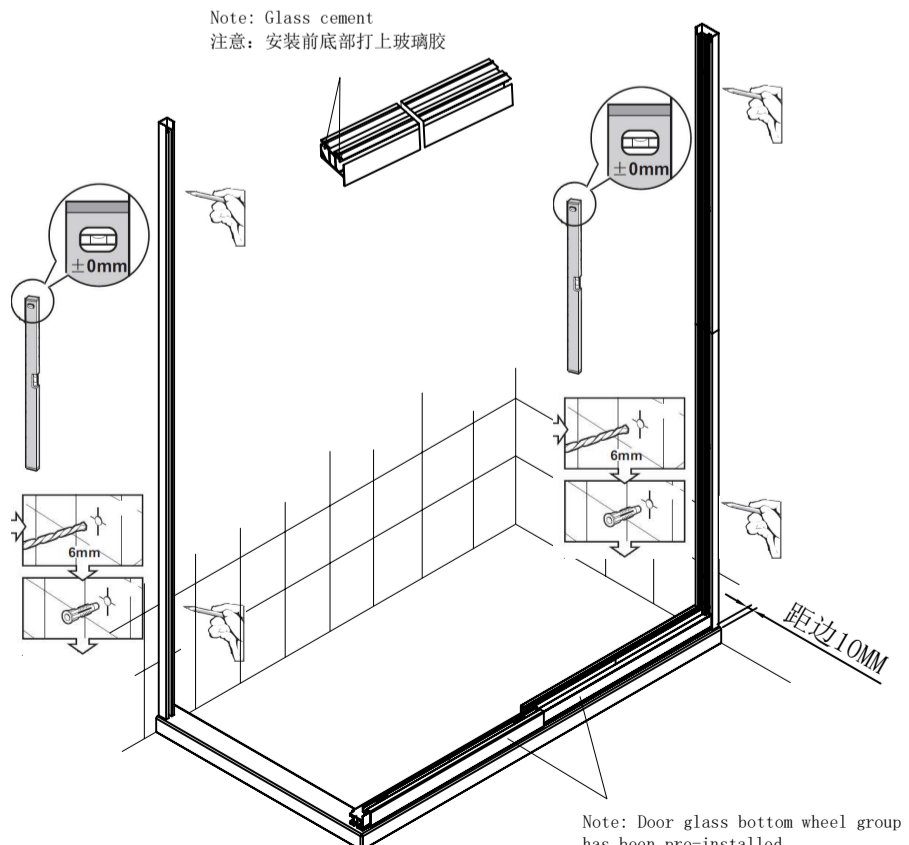


Install divider, keep horizontal
放置挡水条, 需确保挡水条放置水平。



STEP 1

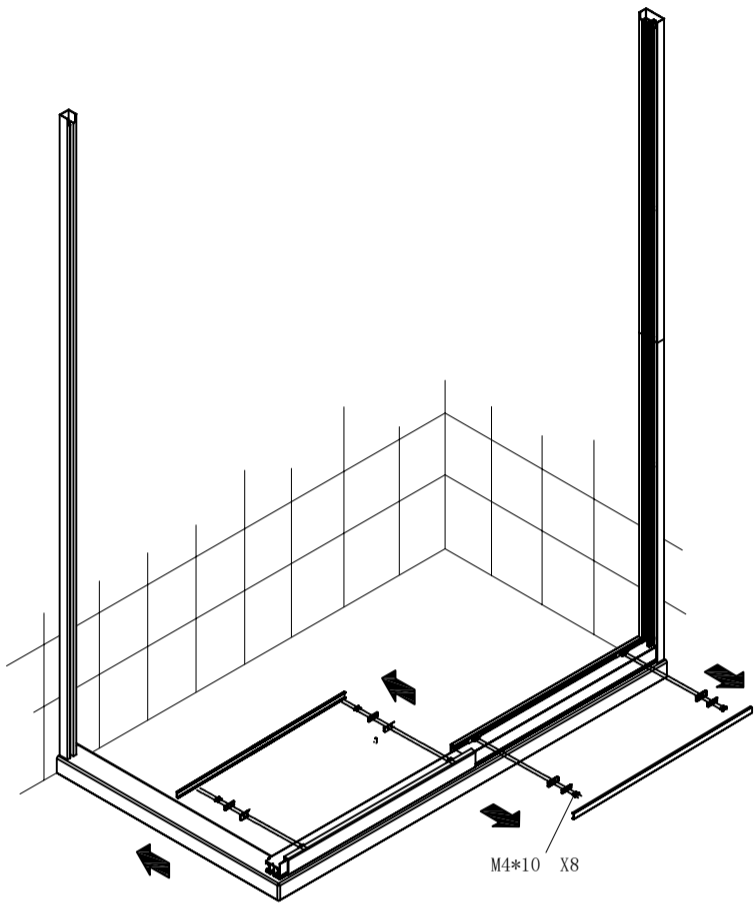
Install the upper wall profile and the bottom rail with the former vertical to the floor and 10MM from external edge (divider surface width is 80MM)
安装下导轨和两侧上墙型材, 上墙型材需保持与地面垂直, 且内偏10MM安装(石基面宽80MM), 注意下轨道安装前预先打上玻璃胶。



STEP 2

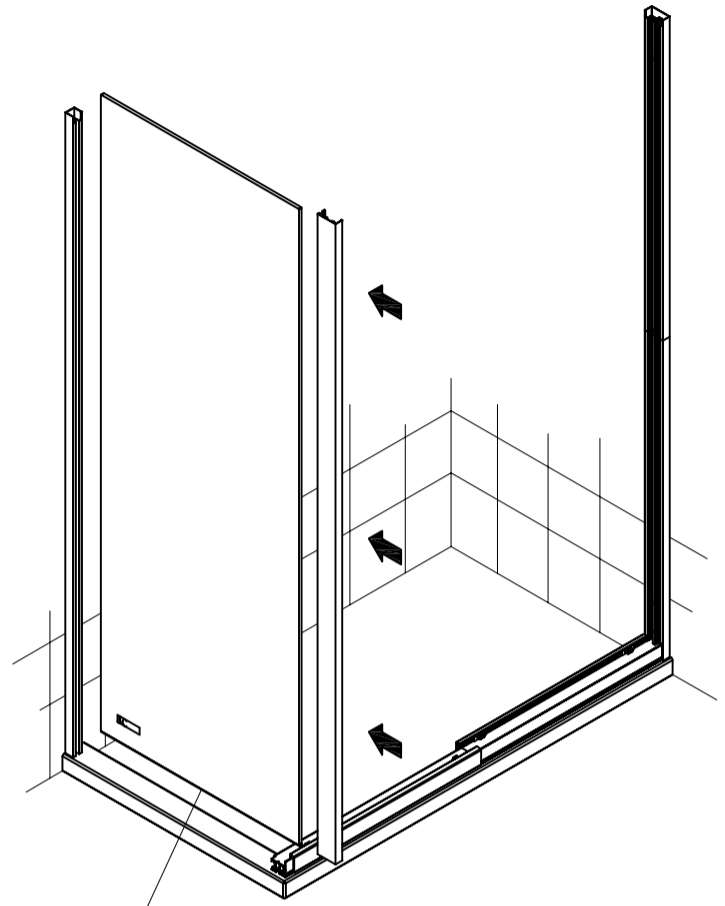
Note: Door glass bottom wheel group beam has been pre-installed
注意: 门玻璃底轮组横梁已经预装

Remove bottom backing aluminum and screw,
screw size is M4*10MM
拆卸底部背板和螺丝, 螺丝规格为M4*10MM



STEP 3

Install side glass and aluminum profiles
安装侧扇固玻和转角立柱铝材

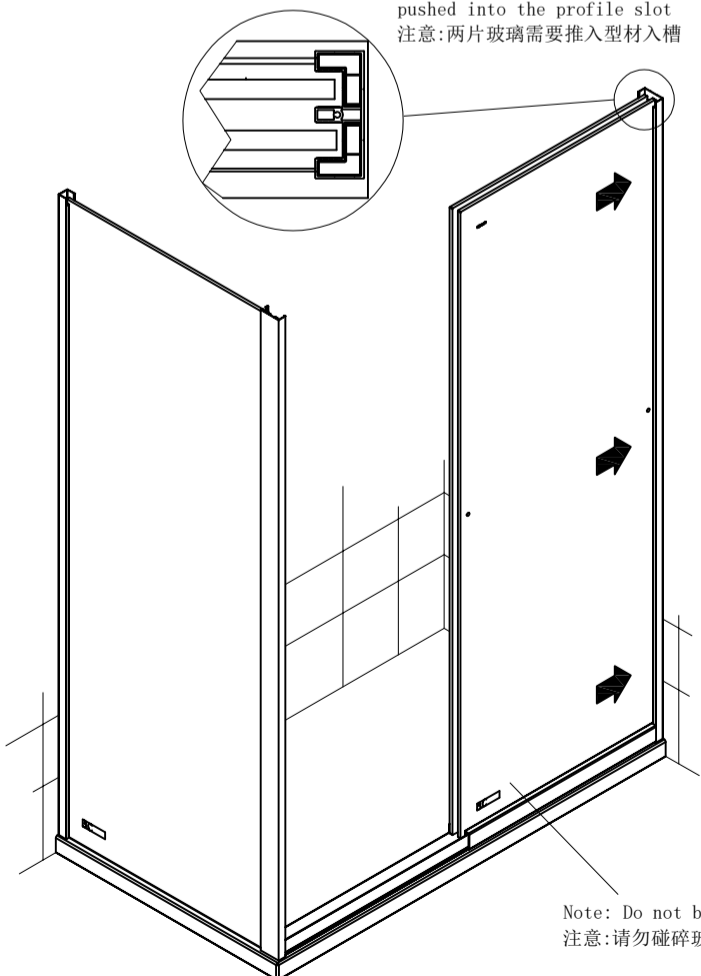


strips are preinstalled
at the bottom
注意: 底部有预装保护胶条

STEP 4

Install door glass
安装门玻

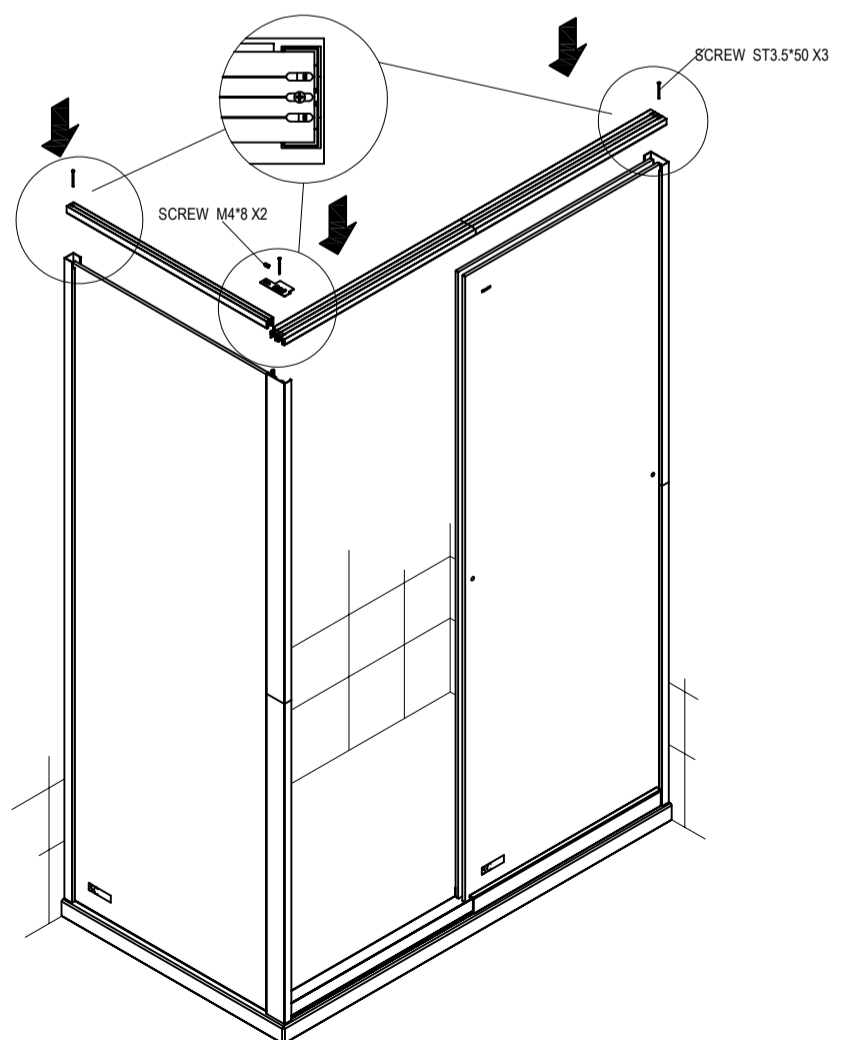
Note: Two pieces of glass need to be
pushed into the profile slot
注意: 两片玻璃需要推入型材入槽



Note: Do not break glass
注意: 请勿碰碎玻璃, 玻璃底部请套上护角再搬运。

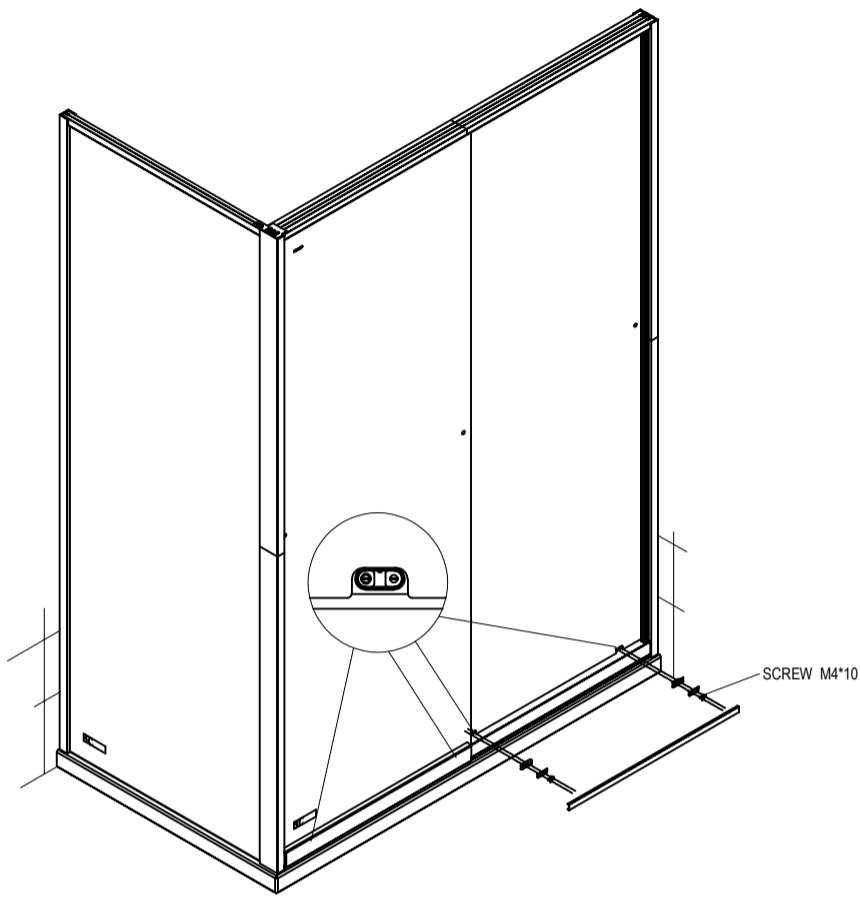
STEP 5

Install upper guide rail and side upper beam, lock screws
安装上导轨和侧面上横梁, 锁上螺丝固定



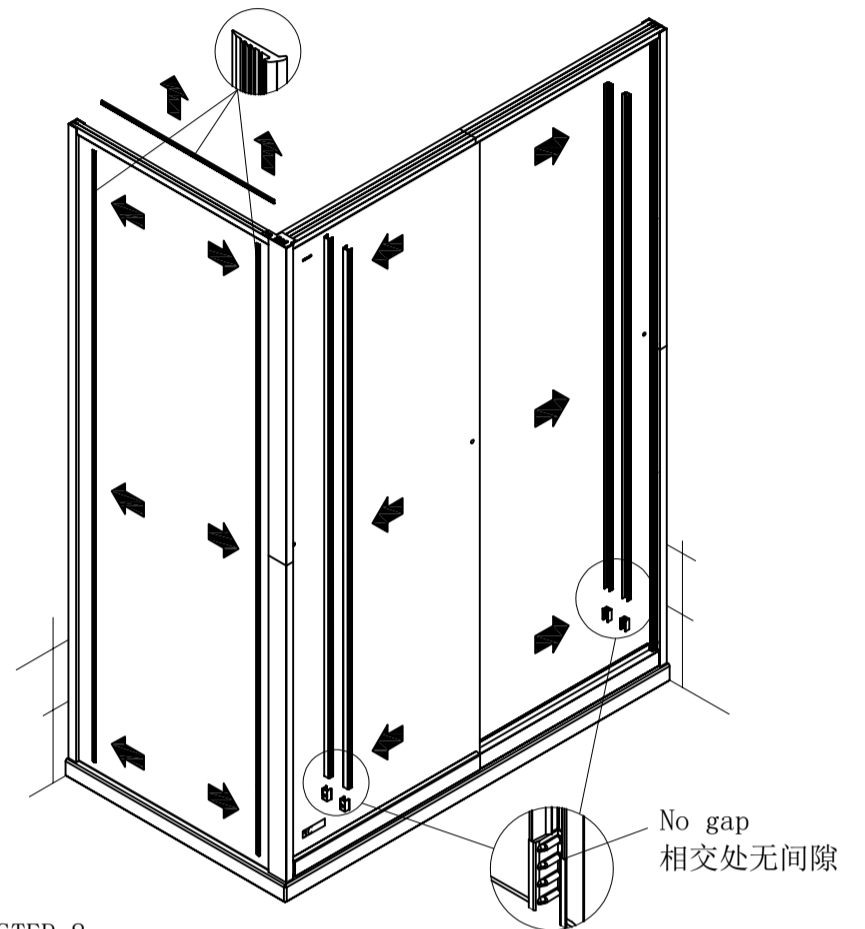
STEP 6

Lift the door glass into the connecting bracket, lock the door glass with screws, and then fasten the aluminum back plate
 抬起门玻扣入连接支架，用螺丝锁住门玻，再扣上铝材背板



STEP 7

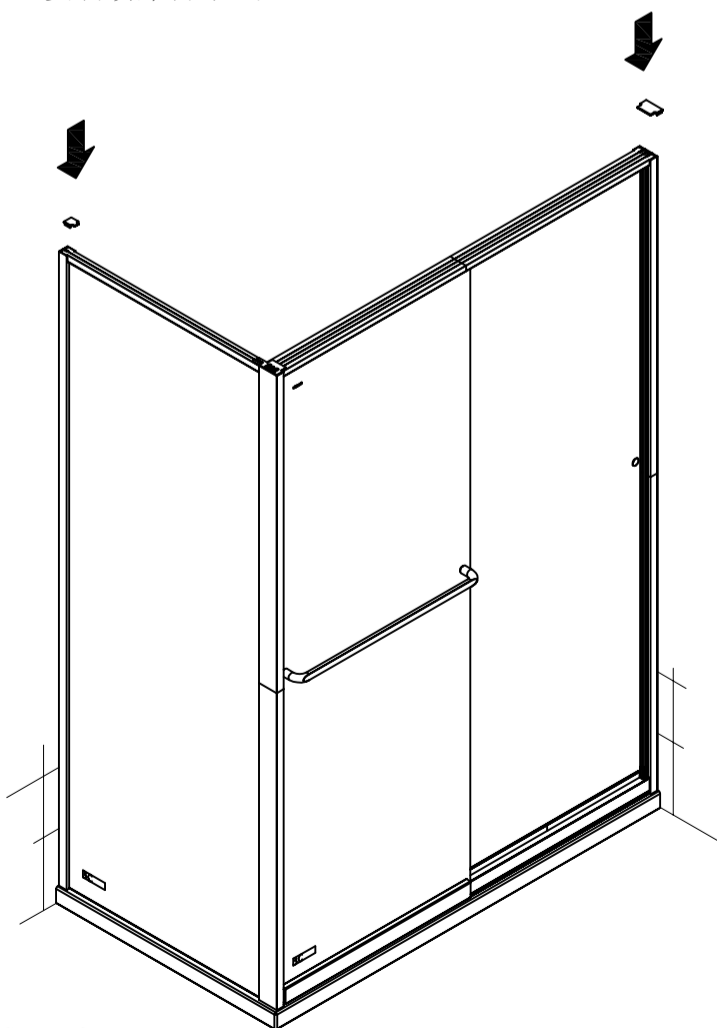
Install the bottom anti-collision block and strip
 安装底部防撞块和胶条



STEP 8

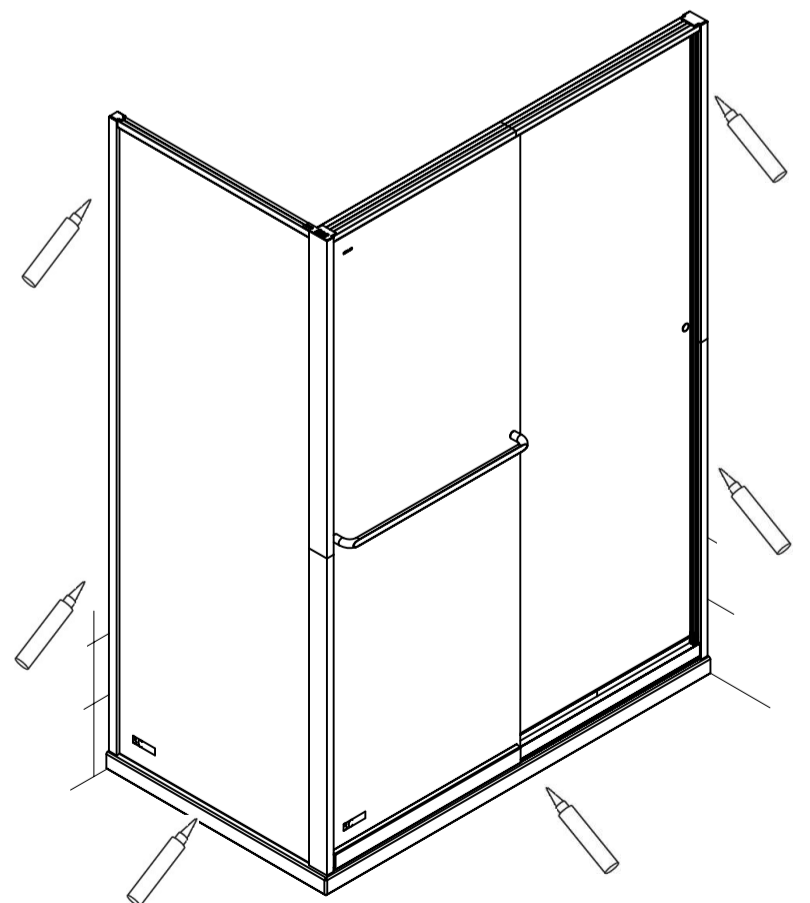
- 1、Install handle;
- 2、Adjust the position of the top anti-collision block;
- 3、Install top cap;

- 1、安装拉手;
- 2、调节顶部防撞块位置;
- 3、安装顶部装饰盖;



STEP 9

Glass cement
 打玻璃胶



STEP 10